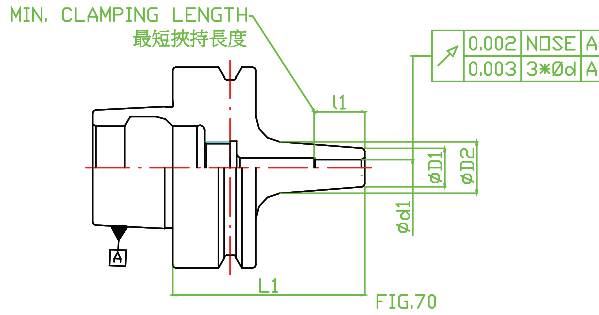


HSK-F



■ Shrink fit chucks

● 熱膨脹燒結刀桿



動平衡G2.5/25,000RPM或小於1gmm // BALANCE TO G2.5/25,000RPM OR UNDER 1gmm

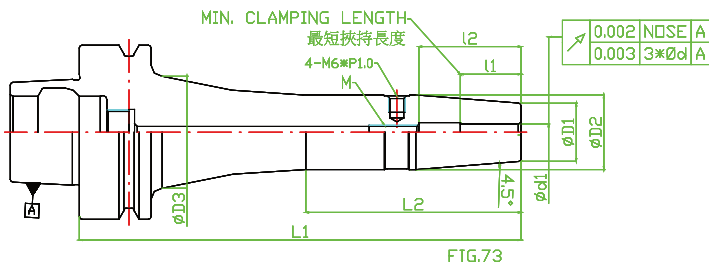
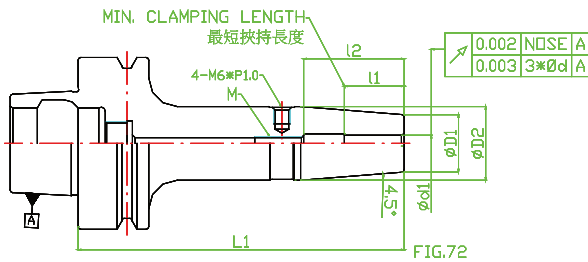
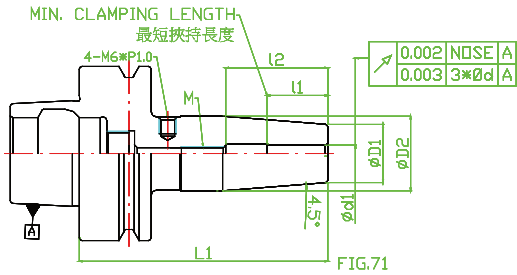
STOCK	CODE	FIG.	L1	L2	ØD1	ØD2	ØD3	Ød	I1-min. 最短夾持長度 Min. Clamping Length	I2-max. 最長夾持長度 Max. Clamping Length	止動螺絲 (M) Screw Page 153	重量 (KG) Weight
	HSK-F040-EZ03-060	70	60	-	15	20	-	3	15	-	-	0.50
	HSK-F040-EZ04-060	70	60	-	15	20	-	4	15	-	-	0.50
	HSK-F040-EZ05-060	70	60	-	15	20	-	5	17	-	-	0.50
STOCK	CODE	FIG.	L1	L2	ØD1	ØD2	ØD3	Ød	I1-min. 最短夾持長度 Min. Clamping Length	I2-max. 最長夾持長度 Max. Clamping Length	止動螺絲 (M) Screw Page 153	重量 (KG) Weight
	HSK-F063-EZ03-090	70	90	-	15	20	-	3	15	-	-	0.80
	HSK-F063-EZ03-120	70	120	-	15	20	-	3	15	-	-	1.10
	HSK-F063-EZ03-160	70	160	-	15	27	-	3	15	-	-	1.40
	HSK-F063-EZ04-090	70	90	-	15	20	-	4	17	-	-	0.80
	HSK-F063-EZ04-120	70	120	-	15	20	-	4	17	-	-	1.10
	HSK-F063-EZ04-160	70	160	-	15	27	-	4	17	-	-	1.40
	HSK-F063-EZ05-090	70	90	-	15	20	-	5	17	-	-	0.80
	HSK-F063-EZ05-120	70	120	-	15	20	-	5	17	-	-	1.10
	HSK-F063-EZ05-160	70	160	-	15	27	-	5	17	-	-	1.40

STOCK ◎=標準在庫品 // STOCK ○=regular stock | STOCK ○=少量在庫品 // STOCK ○=few stock | STOCK無標示=接單生產 // STOCK BLANK=on request

HSK-F-EZ

■ Shrink fit chucks

● 熱膨脹燒結刀桿



動平衡G2.5/25,000RPM或小於1gmm // BALANCE TO G2.5/25,000RPM OR UNDER 1gmm

STOCK	CODE	FIG.	L1	L2	ØD1	ØD2	ØD3	Ød	l1-min. 最短夾持長度 Min. Clamping Length	l2-max. 最長夾持長度 Max. Clamping Length	止動螺絲 (M) Screw Page 153	重量 (KG) Weight
	HSK-F040-EZ06-065	71	65	-	21	27	-	6	23	32	M5*P0.8	0.50
	HSK-F040-EZ06-080	71	80	-	21	27	-	6	23	37	M5*P0.8	0.80
	HSK-F040-EZ08-065	71	65	-	21	27	-	8	27	32	M6*P1.0	0.50
	HSK-F040-EZ08-080	71	80	-	21	27	-	8	27	37	M6*P1.0	0.80
	HSK-F040-EZ10-065	71	65	-	24	31	-	10	32	37	M8*P1.0	0.60
	HSK-F040-EZ10-080	71	80	-	24	32	-	10	32	42	M8*P1.0	0.90
	HSK-F040-EZ12-065	71	65	-	24	31	-	12	37	37	M10*P1.0	0.60
	HSK-F040-EZ12-090	71	90	-	24	32	-	12	37	42	M10*P1.0	0.90
	HSK-F040-EZ16-090	71	90	-	27	34	-	16	40	51	M12*P1.0	0.90

產品FIG.65 & 66出貨附件為長度調整螺絲BK-EZ-Mxx*1pc // PRODUCTS IN FIG.65 & 66 EQUIP WITH BACK UP SCREW BK-EZ-Mxx*1PC
 STOCK ⊙=標準在庫品 // STOCK ⊙=regular stock | STOCK ○=少量在庫品 // STOCK ○=few stock | STOCK無標示=接單生產 // STOCK
 BLANK=on request

■ Shrink fit chucks

● 熱膨脹燒結刀桿

動平衡G2.5/25,000RPM或小於1gmm // BALANCE TO G2.5/25,000RPM OR UNDER 1gmm

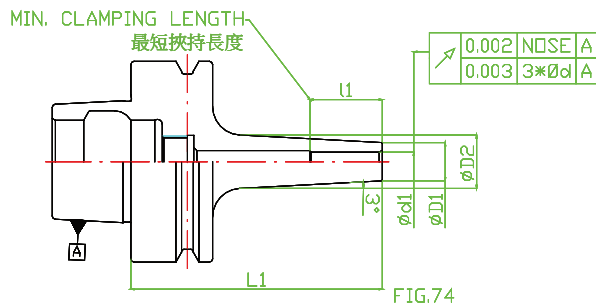
STOCK	CODE	FIG.	L1	L2	ØD1	ØD2	ØD3	Ød	I1-min. 最短夾持長度 Min. Clamping Length	I2-max. 最長夾持長度 Max. Clamping Length	止動螺絲 (M) Screw Page 153	重量 (KG) Weight
	HSK-F063-EZ06-090	71	90	-	21	27	-	6	23	37	M5*P0.8	0.80
	HSK-F063-EZ06-120	72	120	-	21	27	-	6	23	37	M5*P0.8	1.10
	HSK-F063-EZ06-160	73	160	78	21	27	41	6	23	37	M5*P0.8	1.40
	HSK-F063-EZ08-090	71	90	-	21	27	-	8	27	37	M6*P1.0	0.80
	HSK-F063-EZ08-120	72	120	-	21	27	-	8	27	37	M6*P1.0	1.10
	HSK-F063-EZ08-160	73	160	78	21	27	41	8	27	37	M6*P1.0	1.40
	HSK-F063-EZ10-090	71	90	-	24	32	-	10	32	42	M8*P1.0	0.90
	HSK-F063-EZ10-120	72	120	-	24	32	-	10	32	42	M8*P1.0	1.20
	HSK-F063-EZ10-160	73	160	78	24	32	40	10	32	42	M8*P1.0	1.50
	HSK-F063-EZ12-090	71	90	-	24	32	-	12	37	48	M10*P1.0	0.90
	HSK-F063-EZ12-120	72	120	-	24	32	-	12	37	48	M10*P1.0	1.20
	HSK-F063-EZ12-160	73	160	78	24	32	40	12	37	48	M10*P1.0	1.50
	HSK-F063-EZ14-095	71	95	-	27	34	-	14	37	48	M10*P1.0	0.90
	HSK-F063-EZ14-120	72	120	-	27	34	-	14	37	48	M10*P1.0	1.20
	HSK-F063-EZ14-160	73	160	78	27	34	42	14	37	48	M10*P1.0	1.50
	HSK-F063-EZ16-095	71	95	-	27	34	-	16	40	51	M12*P1.0	0.90
	HSK-F063-EZ16-120	72	120	-	27	34	-	16	40	51	M12*P1.0	1.20
	HSK-F063-EZ16-160	73	160	78	27	34	42	16	40	51	M12*P1.0	1.50
	HSK-F063-EZ18-095	71	95	-	33	42	-	18	40	51	M12*P1.0	1.00
	HSK-F063-EZ18-120	72	120	-	33	42	-	18	40	51	M12*P1.0	1.30
	HSK-F063-EZ18-160	72	160	-	33	51	-	18	40	51	M12*P1.0	1.60
	HSK-F063-EZ20-100	71	100	-	33	42	-	20	42	53	M16*P1.0	1.00
	HSK-F063-EZ20-120	72	120	-	33	42	-	20	42	53	M16*P1.0	1.30
	HSK-F063-EZ20-160	72	160	-	33	51	-	20	42	53	M16*P1.0	1.60
	HSK-F063-EZ25-115	71	115	-	36	42	-	25	48	59	M16*P1.0	1.60

產品 FIG. 65 & 66 出貨附件為長度調整螺絲BK-EZ-Mxx*1pc // PRODUCTS IN FIG. 65 & 66 EQUIP WITH BACK UP SCREW BK-EZ-Mxx*1PC
 STOCK ◎=標準在庫品 // STOCK ◎=regular stock | STOCK ○=少量在庫品 // STOCK ○=few stock | STOCK 無標示=接單生產 // STOCK
 BLANK=on request

HSK-F-EZSS

■ SlimSuper shrink fit chucks

● 超細型熱膨脹燒結刀桿



動平衡G2.5/25,000RPM或小於1gmm // BALANCE TO G2.5/25,000RPM OR UNDER 1gmm

STOCK	CODE	FIG.	L1	L2	ØD1	ØD2	ØD3	Ød	l1-min. 最短夾持長度 Min. Clamping Length	l2-max. 最長夾持長度 Max. Clamping Length	止動螺絲 (M) Screw Page 153	重量 (KG) Weight
	HSK-F040-EZ06SS-070	74	70	-	12	17	-	6	23	-	-	0.40
	HSK-F040-EZ08SS-070	74	70	-	14	19	-	8	27	-	-	0.40
	HSK-F040-EZ10SS-080	74	80	-	16	22	-	10	32	-	-	0.50
	HSK-F040-EZ12SS-080	74	80	-	18	24	-	12	37	-	-	0.50

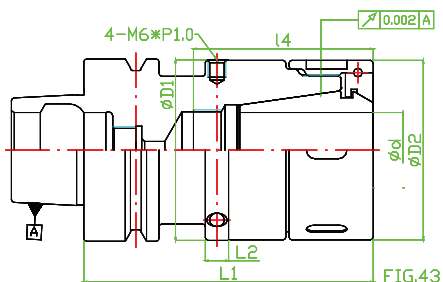
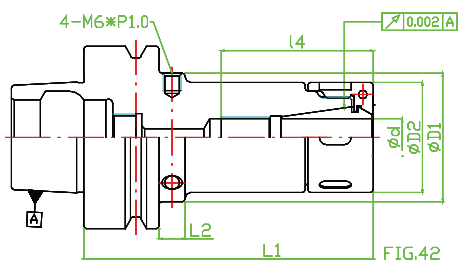
STOCK ◎=標準在庫品 // STOCK ○=regular stock | STOCK ○=少量在庫品 // STOCK ○=few stock | STOCK無標示=接單生產品 // STOCK BLANK=on request

HSK-F-SGER

SPEED TIGER

SGER power ER collet chucks

SGER 強力型 ER 筒夾刀桿



121

動平衡G2.5/25,000RPM或小於1gmm // BALANCE TO G2.5/25,000RPM OR UNDER 1gmm

STOCK	CODE	FIG.	L1	L2	L3	l4	D1	D2	d	止動螺絲 (M) Screw Page 154	筒夾 COLLET Page 143	螺帽 NUT Page 151	扳手 WRENCH Page 154	重量 (KG) Weight
	HSK-F040-SGER16-070	43	70	8	-	-	34.4	34	0.5~10.0	-	ER16	N16SGX nano	W-FK04	0.50
	HSK-F040-SGER16-100	43	100	8	-	46	34.4	34	0.5~10.0	M11*P1.0	ER16	N16SGX nano	W-FK04	0.70
	HSK-F040-SGER20-070	43	70	8	-	-	38.4	38	0.5~13.0	-	ER20	N20SGX nano	W-FK05	0.60
	HSK-F040-SGER20-100	43	100	8	-	51	38.4	38	0.5~13.0	M14*P1.0	ER20	N20SGX nano	W-FK05	0.80
	HSK-F040-SGER25-070	43	70	8	-	-	44.4	44	0.5~16.0	-	ER25	N25SGX nano	W-FK06	0.70
	HSK-F040-SGER25-100	43	100	8	-	53	44.4	44	0.5~16.0	M18*P1.5	ER25	N25SGX nano	W-FK06	0.90
	HSK-F040-SGER32-070	43	70	8	-	-	52.4	52	2.0~20.0	-	ER32	N32SGX nano	W-FK08	0.80
	HSK-F040-SGER32-100	43	100	8	-	52	52.4	52	2.0~20.0	M24*P1.5	ER32	N32SGX nano	W-FK08	1.00
STOCK	CODE	FIG.	L1	L2	L3	l4	D1	D2	d	止動螺絲 (M) Screw Page 154	筒夾 COLLET Page 143	螺帽 NUT Page 151	扳手 WRENCH Page 154	重量 (KG) Weight
	HSK-F063-SGER16-070	42	70	9	-	-	38.4	34	0.5~10.0	-	ER16	N16SGX nano	W-FK04	0.80
	HSK-F063-SGER16-100	42	100	9	-	46	38.4	34	0.5~10.0	M11*P1.0	ER16	N16SGX nano	W-FK04	1.00
	HSK-F063-SGER20-070	42	70	9	-	-	38.4	34	0.5~10.0	-	ER20	N20SGX nano	W-FK04	0.90
	HSK-F063-SGER20-100	42	100	9	-	51	38.4	38	0.5~13.0	M14*P1.0	ER20	N20SGX nano	W-FK05	1.10
	HSK-F063-SGER25-080	43	80	8	-	-	44.4	44	0.5~16.0	-	ER25	N25SGX nano	W-FK06	1.20
	HSK-F063-SGER25-100	43	100	8	-	53	44.4	44	0.5~16.0	M18*P1.5	ER25	N25SGX nano	W-FK06	1.40
	HSK-F063-SGER32-080	43	80	8	-	-	52.4	52	2.0~20.0	-	ER32	N32SGX nano	W-FK08	1.30
	HSK-F063-SGER32-100	43	100	8	-	52	52.4	52	2.0~20.0	M24*P1.5	ER32	N32SGX nano	W-FK08	1.50
	HSK-F063-SGER40-080	43	80	8	-	-	62.4	62	3.0~26.0	-	ER40	N40SGX nano	W-FK09	1.60
	HSK-F063-SGER40-100	43	100	8	-	-	62.4	62	3.0~26.0	-	ER40	N40SGX nano	W-FK09	1.90

產品FIG.42 & 43出貨附件為高速平衡奈米鋼珠螺帽

NxxSGX nano*1pc // PRODUCTS IN FIG.42 & 43 EQUIP WITH BALANCED NANO BALL BEARING NUT NxxSGX nano*1pc

STOCK ⊙=標準在庫品 // STOCK ⊙=regular stock | STOCK ○=少量在庫品 // STOCK ○=few stock | STOCK無標示=接單生產 // STOCK

BLANK=on request

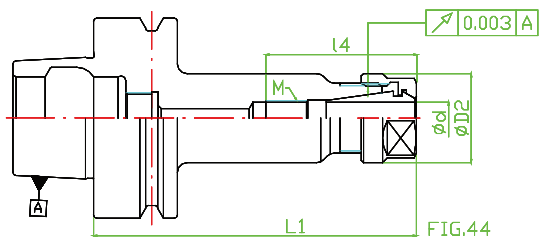
ER筒夾和扳手是另購品 // ER COLLET AND WRENCH TO BE ORDERED SEPARATELY

HSK-F-ERM & ER

ERM nut collet chucks & ER collet chucks

ERM 型螺帽筒夾刀桿 & ER 筒夾刀桿

122



動平衡G2.5/25,000RPM或小於1gmm // BALANCE TO G2.5/25,000RPM OR UNDER 1gmm

STOCK	CODE	FIG.	L1	L2	L3	L4	D1	D2	d	止動螺絲 (M) Screw Page 154	筒夾 COLLET Page 143	螺帽 NUT Page 151	扳手 WRENCH Page 154	重量 (KG) Weight
	HSK-F063-ER16-100	44	100	-	-	46	-	28	0.5~10.0	M11*P1.0	ER16	N16SX nano	W-ER16	1.00
	HSK-F063-ER25-100	44	100	-	-	53	-	42	0.5~16.0	M18*P1.5	ER25	N25SX nano	W-FK06	1.40
	HSK-F063-ER32-090	44	90	-	-	52	-	50	2.0~20.0	M24*P1.5	ER32	N32SX nano	W-FK08	1.40
	HSK-F063-ER40-070	44	70	-	-	-	-	63	3.0~26.0	-	ER40	N40SX nano	W-FK09	1.50

產品FIG.44出貨附件為高速平衡奈米螺帽NxxSX nano*1pc // PRODUCTS IN FIG.44 EQUIP WITH BALANCED NANO NUT NxxSX nano*1pc
 STOCK ◎=標準在庫品 // STOCK ◎=regular stock | STOCK ○=少量在庫品 // STOCK ○=few stock | STOCK無標示=接單生產品 // STOCK
 BLANK=on request

ER筒夾和扳手是另購品 // ER COLLET AND WRENCH TO BE ORDERED SEPARATELY