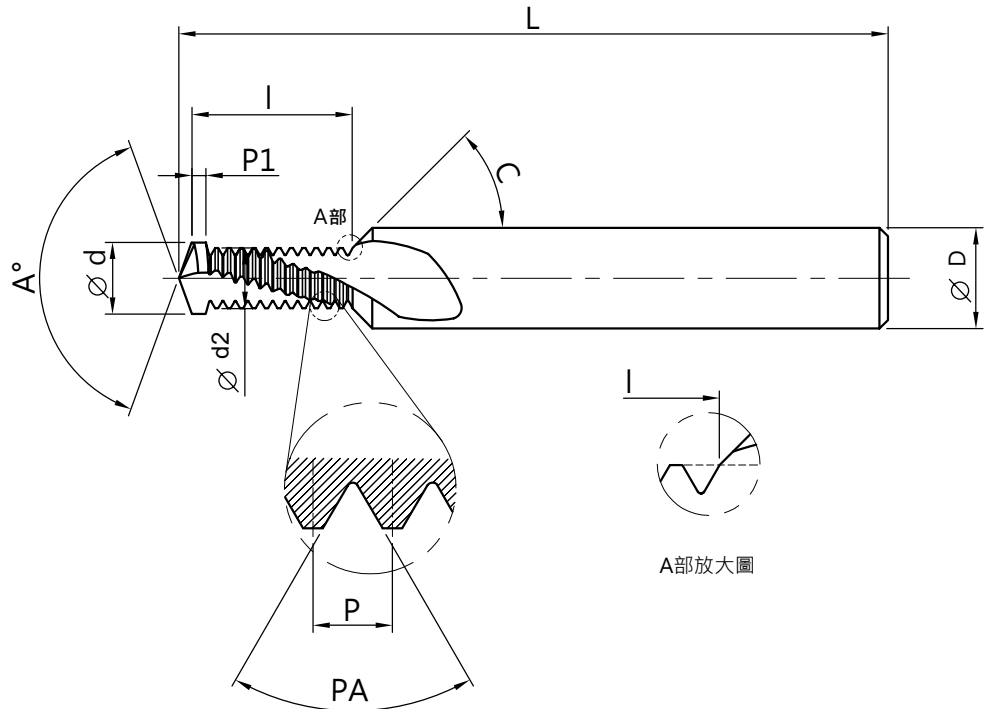


**TMCHD - 2 Flutes Drill Thread Mill for Internal Threads**  
**2刃鑽+銑+倒角多工能螺紋銑刀**

**訂製款**  
 Customized



D = \_\_\_\_\_ C = \_\_\_\_\_

L = \_\_\_\_\_ I = \_\_\_\_\_

P = \_\_\_\_\_ P1 = \_\_\_\_\_

d = \_\_\_\_\_ d2 = \_\_\_\_\_

A = \_\_\_\_\_ PA = \_\_\_\_\_

M = \_\_\_\_\_  
 (螺紋尺寸)

Application 適用材質：

◎ Excellent 適合    ○ Good 佳

Carbon steel, Alloy steel 炭素鋼, 合金鋼	Pre-harden steel 預硬鋼	High-hardened 高硬度鋼				Stainless steel 不鏽鋼	Cast iron 鑄鐵	Copper alloy 銅合金, 銅	Aluminum alloy 鋁合金	Titanium alloy 鈦合金	Nickel/Inconel alloy 鎳基合金
	~45HRC	~50HRC	~55HRC	~60HRC	~65HRC						
							○		◎		