

# Extension 延長桿

# SPEED TIGER

直柄延長桿的使用頻率很高  
但是要生產精準的直柄延長桿並不是很簡單  
需要注意的有:

### 1. 直柄的尺寸公差

一般廠商生產的多數是h6公差  
震虎生產的低於h5公差

### 2. 直柄的真圓度

一般廠商生產的是0.0020mm~0.0040mm  
震虎生產的是0.0005~0.0015mm

### 3. 直柄的真直度

一般廠商生產的是0.0030mm~0.0060mm@300mm長  
震虎生產的是0.0010mm~0.0030mm@300mm長

### 4. 直柄的表面粗糙度

一般廠商生產的是Ra0.8~Ra0.4  
震虎生產的是Ra0.2

### 5. 孔徑的偏擺

一般廠商生產的是0.005mm~0.020mm  
震虎生產的是0.003mm

Straight shank extensions are used frequently  
However, it is never easy to produce an accurate one

There are some points to take care

### 1. Tolerance of shank

Most makers produce it in h6  
SPEED TIGER produce it more precise than h5

### 2. Roundness of shank

Most makers produce it in 0.002mm~0.004mm  
SPEED TIGER produce it in 0.0005mm~0.0015mm

### 3. Straightness of shank

Most makers produce it in 0.003mm~0.006mm@300mm  
SPEED TIGER produce it in 0.0010mm~0.0030mm@0.003mm

### 4. Roughness of shank

Most makers produce it in Ra0.8~Ra0.4  
SPEED TIGER produce it Ra0.2

### 5. Runout of the bore

Most makers produce it in 0.005mm~0.020mm  
SPEED TIGER produce it 0.003mm

柄徑公差				柄徑公差			
Shank tolerance	h6	h5	SPEED TIGER h5	Shank tolerance	h6	h5	SPEED TIGER h5
3mm	0.000/-0.006	0.000/-0.004	-0.001/-0.004	1/8" 3.175mm	0.000/-0.008	0.000/-0.005	-0.002/-0.005
4mm	0.000/-0.008	0.000/-0.005	-0.002/-0.005	3/16" 4.7625mm	0.000/-0.008	0.000/-0.005	-0.002/-0.005
5mm	0.000/-0.008	0.000/-0.005	-0.002/-0.005	1/4" 6.35mm	0.000/-0.009	0.000/-0.006	-0.003/-0.006
6mm	0.000/-0.008	0.000/-0.005	-0.002/-0.005	5/16" 7.9375mm	0.000/-0.009	0.000/-0.006	-0.003/-0.006
8mm	0.000/-0.009	0.000/-0.006	-0.003/-0.006	3/8" 9.525mm	0.000/-0.009	0.000/-0.006	-0.003/-0.006
10mm	0.000/-0.009	0.000/-0.006	-0.003/-0.006	7/16" 11.125mm	0.000/-0.011	0.000/-0.008	-0.003/-0.008
12mm	0.000/-0.011	0.000/-0.008	-0.003/-0.008	1/2" 12.7mm	0.000/-0.011	0.000/-0.008	-0.003/-0.008
14mm	0.000/-0.011	0.000/-0.008	-0.003/-0.008	9/16" 14.2875mm	0.000/-0.011	0.000/-0.008	-0.003/-0.008
16mm	0.000/-0.011	0.000/-0.008	-0.003/-0.008	5/8" 15.875mm	0.000/-0.011	0.000/-0.008	-0.003/-0.008
18mm	0.000/-0.011	0.000/-0.008	-0.003/-0.008	11/16" 17.4625mm	0.000/-0.011	0.000/-0.008	-0.003/-0.008
20mm	0.000/-0.013	0.000/-0.009	-0.003/-0.009	3/4" 19.05mm	0.000/-0.011	0.000/-0.008	-0.003/-0.008
22mm	0.000/-0.013	0.000/-0.009	-0.003/-0.009	13/16" 20.6375mm	0.000/-0.011	0.000/-0.008	-0.003/-0.008
25mm	0.000/-0.013	0.000/-0.009	-0.003/-0.009	7/8" 22.225mm	0.000/-0.011	0.000/-0.008	-0.003/-0.008
32mm	0.000/-0.016	0.000/-0.011	-0.003/-0.011	15/16" 23.8125mm	0.000/-0.011	0.000/-0.008	-0.003/-0.008
40mm	0.000/-0.016	0.000/-0.011	-0.003/-0.011	1" 25.4mm	0.000/-0.011	0.000/-0.008	-0.003/-0.008
42mm	0.000/-0.016	0.000/-0.011	-0.003/-0.011	1 1/4" 31.75mm	0.000/-0.016	0.000/-0.011	-0.003/-0.011

### 熱膨脹燒結刀桿種類:

#### Type of shrink fit chucks:

S-EZS / Slim



EZS=細型  
EZS=slim type

S-EZSKK / Slim



EZSKK=鼻端出水細型  
EZSKK=slim coolant through nose type

### 熱膨脹燒結刀桿種類:

#### Type of shrink fit chucks:

S-EZS / Slim

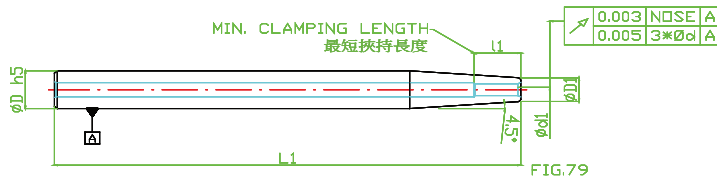


EZS=細型(附止動螺絲)  
EZS=slim type(with back up screw)

# S-EZS

## ■ Slim shrink fit extensions

### ● 細型熱膨脹燒結延長桿



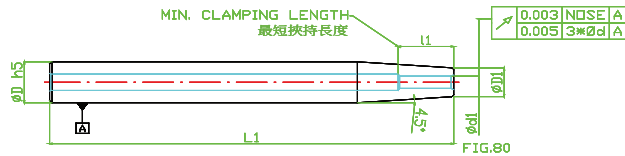
128

STOCK	CODE	FIG.	L1	L2	ØD1	ØD2	ØD3	Ød	I1-min. 最短夾持長度 Min. Clamping Length	I2-max. 最長夾持長度 Max. Clamping Length	止動螺絲 (M) Screw Page 153	重量 (KG) Weight
◎	S12-EZ03S-120	79	120	-	12	8	-	3	11	-	-	
◎	S12-EZ03S-160	79	160	-	12	8	-	3	11	-	-	
◎	S12-EZ04S-120	79	120	-	12	8	-	4	14	-	-	
◎	S12-EZ04S-160	79	160	-	12	8	-	4	14	-	-	
◎	S12-EZ05S-120	79	120	-	12	10	-	5	17	-	-	
◎	S12-EZ05S-160	79	160	-	12	10	-	5	17	-	-	
STOCK	CODE	FIG.	L1	L2	ØD1	ØD2	ØD3	Ød	I1-min. 最短夾持長度 Min. Clamping Length	I2-max. 最長夾持長度 Max. Clamping Length	止動螺絲 (M) Screw Page 153	重量 (KG) Weight
◎	S16-EZ03S-120	79	120	-	16	10	-	3	11	-	-	
◎	S16-EZ03S-160	79	160	-	16	10	-	3	11	-	-	
◎	S16-EZ04S-120	79	120	-	16	10	-	4	14	-	-	
◎	S16-EZ04S-160	79	160	-	16	10	-	4	14	-	-	
◎	S16-EZ05S-120	79	120	-	16	10	-	5	17	-	-	
◎	S16-EZ05S-160	79	160	-	16	10	-	5	17	-	-	
STOCK	CODE	FIG.	L1	L2	ØD1	ØD2	ØD3	Ød	I1-min. 最短夾持長度 Min. Clamping Length	I2-max. 最長夾持長度 Max. Clamping Length	止動螺絲 (M) Screw Page 153	重量 (KG) Weight
◎	S20-EZ03S-160	79	160	-	20	10	-	3	11	-	-	
◎	S20-EZ04S-160	79	160	-	20	10	-	4	14	-	-	
◎	S20-EZ05S-160	79	160	-	20	14	-	5	17	-	-	

STOCK ◎=標準在庫品 // STOCK ◎=regular stock | STOCK ○=少量在庫品 // STOCK ○=few stock | STOCK無標示=接單生產品 // STOCK BLANK=on request

## ■ Slim shrink fit extensions

### ● 細型熱膨脹燒結延長桿



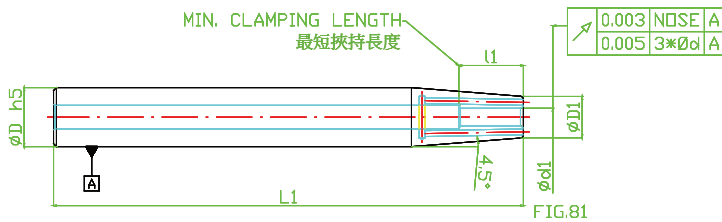
STOCK	CODE	FIG.	L1	L2	ØD1	ØD2	ØD3	Ød	l1-min. 最短夾持長度 Min. Clamping Length	l2-max. 最長夾持長度 Max. Clamping Length	止動螺絲 (M) Screw Page 153	重量 (KG) Weight
◎	S12-EZ06S-120	80	120	-	12	10	-	6	23	-	-	
◎	S12-EZ06S-160	80	160	-	12	10	-	6	23	-	-	
STOCK	CODE	FIG.	L1	L2	ØD1	ØD2	ØD3	Ød	l1-min. 最短夾持長度 Min. Clamping Length	l2-max. 最長夾持長度 Max. Clamping Length	止動螺絲 (M) Screw Page 153	重量 (KG) Weight
◎	S16-EZ06S-120	80	120	-	16	10	-	6	23	-	-	
◎	S16-EZ06S-160	80	160	-	16	10	-	6	23	-	-	
◎	S16-EZ08S-120	80	120	-	16	12	-	8	27	-	-	
◎	S16-EZ08S-160	80	160	-	16	12	-	8	27	-	-	
◎	S16-EZ10S-120	80	120	-	16	14	-	10	33	-	-	
◎	S16-EZ10S-160	80	160	-	16	14	-	10	33	-	-	
STOCK	CODE	FIG.	L1	L2	ØD1	ØD2	ØD3	Ød	l1-min. 最短夾持長度 Min. Clamping Length	l2-max. 最長夾持長度 Max. Clamping Length	止動螺絲 (M) Screw Page 153	重量 (KG) Weight
◎	S20-EZ06S-160	80	160	-	20	14	-	6	23	-	-	
◎	S20-EZ06S-300	80	300	-	20	14	-	6	23	-	-	
◎	S20-EZ08S-160	80	160	-	20	14	-	8	27	-	-	
◎	S20-EZ08S-300	80	300	-	20	14	-	8	27	-	-	
◎	S20-EZ10S-160	80	160	-	20	14	-	10	33	-	-	
◎	S20-EZ10S-300	80	300	-	20	14	-	10	33	-	-	
◎	S20-EZ12S-160	80	160	-	20	16	-	12	38	-	-	
◎	S20-EZ12S-300	80	300	-	20	16	-	12	38	-	-	
STOCK	CODE	FIG.	L1	L2	ØD1	ØD2	ØD3	Ød	l1-min. 最短夾持長度 Min. Clamping Length	l2-max. 最長夾持長度 Max. Clamping Length	止動螺絲 (M) Screw Page 153	重量 (KG) Weight
◎	S25-EZ06S-160	80	160	-	25	19	-	6	23	-	-	
◎	S25-EZ06S-300	80	300	-	25	19	-	6	23	-	-	
◎	S25-EZ08S-160	80	160	-	25	19	-	8	28	-	-	
◎	S25-EZ08S-300	80	300	-	25	19	-	8	28	-	-	
◎	S25-EZ10S-160	80	160	-	25	20	-	10	33	-	-	
◎	S25-EZ10S-300	80	300	-	25	20	-	10	33	-	-	
◎	S25-EZ12S-160	80	160	-	25	20	-	12	38	-	-	
◎	S25-EZ12S-300	80	300	-	25	20	-	12	38	-	-	
◎	S25-EZ14S-160	80	160	-	25	20	-	14	38	-	-	
◎	S25-EZ14S-300	80	300	-	25	20	-	14	38	-	-	
◎	S25-EZ16S-160	80	160	-	25	22	-	16	40	-	-	
◎	S25-EZ16S-300	80	300	-	25	22	-	16	40	-	-	
STOCK	CODE	FIG.	L1	L2	ØD1	ØD2	ØD3	Ød	l1-min. 最短夾持長度 Min. Clamping Length	l2-max. 最長夾持長度 Max. Clamping Length	止動螺絲 (M) Screw Page 153	重量 (KG) Weight
◎	S32-EZ10S-160	80	160	-	32	24	-	10	33	-	-	
◎	S32-EZ10S-300	80	300	-	32	24	-	10	33	-	-	
◎	S32-EZ12S-160	80	160	-	32	24	-	12	38	-	-	
◎	S32-EZ12S-300	80	300	-	32	24	-	12	38	-	-	
◎	S32-EZ14S-160	80	160	-	32	27	-	14	38	-	-	
◎	S32-EZ14S-300	80	300	-	32	27	-	14	38	-	-	
◎	S32-EZ16S-160	80	160	-	32	27	-	16	40	-	-	
◎	S32-EZ16S-300	80	300	-	32	27	-	16	40	-	-	
○	S32-EZ18S-160	80	160	-	32	27	-	18	40	-	-	
○	S32-EZ18S-300	80	300	-	32	27	-	18	40	-	-	
◎	S32-EZ20S-160	80	160	-	32	27	-	20	42	-	-	
◎	S32-EZ20S-300	80	300	-	32	27	-	20	42	-	-	

STOCK ◎=標準在庫品 // STOCK ○=regular stock | STOCK ○=少量在庫品 // STOCK ○=few stock | STOCK無標示=接單生產品 // STOCK BLANK=on request

# S-EZSKK

## ■ Slim shrink fit extensions with coolant through nose

### ● 細型鼻端噴水熱膨脹燒結延長桿

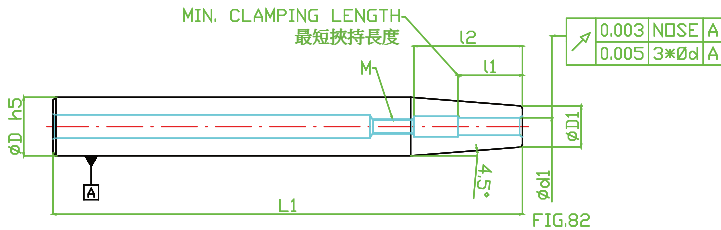


STOCK	CODE	FIG.	L1	L2	ØD1	ØD2	ØD3	Ød	I1-min. 最短夾持長度 Min. Clamping Length	I2-max. 最長夾持長度 Max. Clamping Length	止動螺絲 (M) Screw Page 153	重量 (KG) Weight
◎	S20-EZ06S-160KK	81	160	-	20	14	-	6	23	-	-	
STOCK	CODE	FIG.	L1	L2	ØD1	ØD2	ØD3	Ød	I1-min. 最短夾持長度 Min. Clamping Length	I2-max. 最長夾持長度 Max. Clamping Length	止動螺絲 (M) Screw Page 153	重量 (KG) Weight
◎	S25-EZ06S-160KK	81	160	-	25	19	-	6	23	-	-	
◎	S25-EZ08S-160KK	81	160	-	25	19	-	8	28	-	-	
◎	S25-EZ10S-160KK	81	160	-	25	20	-	10	33	-	-	
STOCK	CODE	FIG.	L1	L2	ØD1	ØD2	ØD3	Ød	I1-min. 最短夾持長度 Min. Clamping Length	I2-max. 最長夾持長度 Max. Clamping Length	止動螺絲 (M) Screw Page 153	重量 (KG) Weight
◎	S32-EZ10S-160KK	81	160	-	32	24	-	10	33	-	-	
◎	S32-EZ12S-160KK	81	160	-	32	24	-	12	38	-	-	
◎	S32-EZ14S-160KK	81	160	-	32	27	-	14	38	-	-	
◎	S32-EZ16S-160KK	81	160	-	32	27	-	16	40	-	-	

STOCK ◎=標準在庫品 // STOCK ◎=regular stock | STOCK ○=少量在庫品 // STOCK ○=few stock | STOCK 無標示=接單生產品 // STOCK BLANK=on request

## ■ Shrink fit extensions(with back up screw)

### ● 細型熱膨脹燒結延長桿 (附止動螺絲)



STOCK	CODE	FIG.	L1	L2	ØD1	ØD2	ØD3	Ød	I1-min. 最短夾持長度 Min. Clamping Length	I2-max. 最長夾持長度 Max. Clamping Length	止動螺絲 (M) Screw Page 153	重量 (KG) Weight
◎	S12-EZ06S-120BK	82	120	-	12	10	-	6	22	36	M5*P0.8	
◎	S12-EZ06S-160BK	82	160	-	12	10	-	6	23	37	M5*P0.8	
STOCK	CODE	FIG.	L1	L2	ØD1	ØD2	ØD3	Ød	I1-min. 最短夾持長度 Min. Clamping Length	I2-max. 最長夾持長度 Max. Clamping Length	止動螺絲 (M) Screw Page 153	重量 (KG) Weight
◎	S16-EZ06S-120BK	82	120	-	16	10	-	6	22	36	M5*P0.8	
◎	S16-EZ06S-160BK	82	160	-	16	10	-	6	23	37	M5*P0.8	
◎	S16-EZ08S-120BK	82	120	-	16	12	-	8	26	41	M6*P1.0	
◎	S16-EZ08S-160BK	82	160	-	16	12	-	8	27	37	M6*P1.0	
◎	S16-EZ10S-120BK	82	120	-	16	14	-	10	32	47	M8*P1.25	
◎	S16-EZ10S-160BK	82	160	-	16	14	-	10	32	42	M8*P1.0	
STOCK	CODE	FIG.	L1	L2	ØD1	ØD2	ØD3	Ød	I1-min. 最短夾持長度 Min. Clamping Length	I2-max. 最長夾持長度 Max. Clamping Length	止動螺絲 (M) Screw Page 153	重量 (KG) Weight
◎	S20-EZ06S-160BK	82	160	-	20	14	-	6	23	37	M5*P0.8	
◎	S20-EZ08S-160BK	82	160	-	20	14	-	8	27	37	M6*P1.0	
◎	S20-EZ10S-160BK	82	160	-	20	14	-	10	32	42	M8*P1.0	
◎	S20-EZ12S-160BK	82	160	-	20	16	-	12	37	48	M10*P1.0	
STOCK	CODE	FIG.	L1	L2	ØD1	ØD2	ØD3	Ød	I1-min. 最短夾持長度 Min. Clamping Length	I2-max. 最長夾持長度 Max. Clamping Length	止動螺絲 (M) Screw Page 153	重量 (KG) Weight
◎	S25-EZ06S-160BK	82	160	-	25	19	-	6	23	37	M5*P0.8	
◎	S25-EZ08S-160BK	82	160	-	25	19	-	8	27	37	M6*P1.0	
◎	S25-EZ10S-160BK	82	160	-	25	20	-	10	32	42	M8*P1.0	
◎	S25-EZ12S-160BK	82	160	-	25	20	-	12	37	48	M10*P1.0	
◎	S25-EZ14S-160BK	82	160	-	25	20	-	14	37	48	M10*P1.0	
◎	S25-EZ16S-160BK	82	160	-	25	22	-	16	40	51	M12*P1.0	
STOCK	CODE	FIG.	L1	L2	ØD1	ØD2	ØD3	Ød	I1-min. 最短夾持長度 Min. Clamping Length	I2-max. 最長夾持長度 Max. Clamping Length	止動螺絲 (M) Screw Page 153	重量 (KG) Weight
◎	S32-EZ10S-160BK	82	160	-	32	24	-	10	32	42	M8*P1.0	
◎	S32-EZ12S-160BK	82	160	-	32	24	-	12	37	48	M10*P1.0	
◎	S32-EZ14S-160BK	82	160	-	32	27	-	14	37	48	M10*P1.0	
◎	S32-EZ16S-160BK	82	160	-	32	27	-	16	40	51	M12*P1.0	
○	S32-EZ18S-160BK	82	160	-	32	27	-	18	40	51	M12*P1.0	
◎	S32-EZ20S-160BK	82	160	-	32	27	-	20	42	53	M16*P1.0	

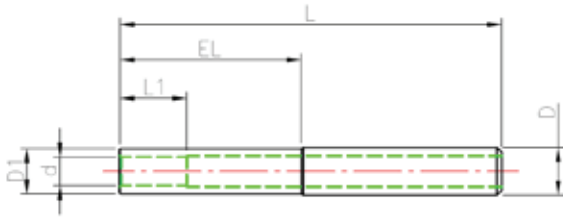
產品FIG.80出貨附件為長度調整螺絲BK-EZ-Mxx\*1pc // PRODUCTS IN FIG.80 EQUIP WITH BACK UP SCREW BK-EZ-Mxx\*1PC  
 STOCK ◎=標準在庫品 // STOCK ○=少量在庫品 // STOCK ◯=few stock | STOCK無標示=接單生產品 // STOCK  
 BLANK=on request

# S-EZ

## ■ Straight Shrink Fit Extension (Short Type)

### ● 燒結直柄短桿

132



材質：SKD 鋼材  
Material: SKD Steel

MODE	Shank Diameter	Diameter	Depth of Inside	Clamping Diameter	Min. Shrink Length	Full Length
型號	D 柄徑	D1 外徑	EL 外徑長度	d 夾持柄徑	L1 最短燒結長度	L 全長
D10 刀桿 (S10-EZ06ST-080)	10	9.5	38	6	16	80
D12 刀桿 (S12-EZ06ST-080)	12	11.5	33	6	16	80
D16 刀桿 (S16-EZ10ST-100)	16	15	50	10	20	100
D20 刀桿 (S20-EZ12ST-120)	20	19	68	12	20	120

# Collet chuck extensions 直柄筒夾延長桿

## SPEED TIGER

直柄筒夾延長桿的使用頻率很高  
但是要生產精準的直柄延長桿並不是很簡單  
需要注意的有:

### 1. 直柄的尺寸公差

一般廠商生產的多數是h6公差

震虎生產的低於h5公差

### 2. 直柄的真圓度

一般廠商生產的是0.0020mm~0.0040mm

震虎生產的是0.0005~0.0015mm

### 3. 直柄的真直度

一般廠商生產的是0.0030mm~0.0060mm@300mm長

震虎生產的是0.0010mm~0.0030mm@300mm長

### 4. 直柄的表面粗糙度

一般廠商生產的是Ra0.8~Ra0.4

震虎生產的是Ra0.2

### 5. 孔徑的偏擺

一般廠商生產的是0.005mm~0.020mm

震虎生產的是0.003mm

Straight shank collet chuck extensions are used frequently

However, it is never easy to produce an accurate one

There are some points to notice

### 1. Tolerance of shank

Most makers produce it in h6

SPEED TIGER produce it more precise than h5

### 2. Roundness of shank

Most makers produce it in 0.002mm~0.004mm

SPEED TIGER produce it in 0.0005mm~0.0015mm

### 3. Straightness of shank

Most makers produce it in 0.003mm~0.006mm@300mm

SPEED TIGER produce it in 0.0010mm~0.0030mm@300mm

### 4. Roughness of shank

Most makers produce it in Ra0.8~Ra0.4

SPEED TIGER produce it Ra0.2

### 5. Runout of the bore

Most makers produce it in 0.005mm~0.020mm

SPEED TIGER produce it 0.003mm

柄徑公差				柄徑公差			
Shank tolerance	h6	h5	SPEED TIGER h5	Shank tolerance	h6	h5	SPEED TIGER h5
3mm	0.000/-0.006	0.000/-0.004	-0.001/-0.004	1/8" 3.175mm	0.000/-0.008	0.000/-0.005	-0.002/-0.005
4mm	0.000/-0.008	0.000/-0.005	-0.002/-0.005	3/16" 4.7625mm	0.000/-0.008	0.000/-0.005	-0.002/-0.005
5mm	0.000/-0.008	0.000/-0.005	-0.002/-0.005	1/4" 6.35mm	0.000/-0.009	0.000/-0.006	-0.003/-0.006
6mm	0.000/-0.008	0.000/-0.005	-0.002/-0.005	5/16" 7.9375mm	0.000/-0.009	0.000/-0.006	-0.003/-0.006
8mm	0.000/-0.009	0.000/-0.006	-0.003/-0.006	3/8" 9.525mm	0.000/-0.009	0.000/-0.006	-0.003/-0.006
10mm	0.000/-0.009	0.000/-0.006	-0.003/-0.006	7/16" 11.1125mm	0.000/-0.011	0.000/-0.008	-0.003/-0.008
12mm	0.000/-0.011	0.000/-0.008	-0.003/-0.008	1/2" 12.7mm	0.000/-0.011	0.000/-0.008	-0.003/-0.008
14mm	0.000/-0.011	0.000/-0.008	-0.003/-0.008	9/16" 14.2875mm	0.000/-0.011	0.000/-0.008	-0.003/-0.008
16mm	0.000/-0.011	0.000/-0.008	-0.003/-0.008	5/8" 15.875mm	0.000/-0.011	0.000/-0.008	-0.003/-0.008
18mm	0.000/-0.011	0.000/-0.008	-0.003/-0.008	11/16" 17.4625mm	0.000/-0.011	0.000/-0.008	-0.003/-0.008
20mm	0.000/-0.013	0.000/-0.009	-0.003/-0.009	3/4" 19.05mm	0.000/-0.011	0.000/-0.008	-0.003/-0.008
22mm	0.000/-0.013	0.000/-0.009	-0.003/-0.009	13/16" 20.6375mm	0.000/-0.011	0.000/-0.008	-0.003/-0.008
25mm	0.000/-0.013	0.000/-0.009	-0.003/-0.009	7/8" 22.225mm	0.000/-0.011	0.000/-0.008	-0.003/-0.008
32mm	0.000/-0.016	0.000/-0.011	-0.003/-0.011	15/16" 23.8125mm	0.000/-0.011	0.000/-0.008	-0.003/-0.008
40mm	0.000/-0.016	0.000/-0.011	-0.003/-0.011	1" 25.4mm	0.000/-0.011	0.000/-0.008	-0.003/-0.008
42mm	0.000/-0.016	0.000/-0.011	-0.003/-0.011	1 1/4" 31.75mm	0.000/-0.016	0.000/-0.011	-0.003/-0.011

直柄筒夾延長桿種類:

Type of straight shank collet chuck extensions:

S-ERM & S-ER



S=直柄  
S=Straight shank

SL-ER



SL=側固直柄  
SL=Straight shank with flat

SSL-ERM & SSL-ER



SSL=短鼻側固直柄  
SSL=Short nose  
straight shank with flat

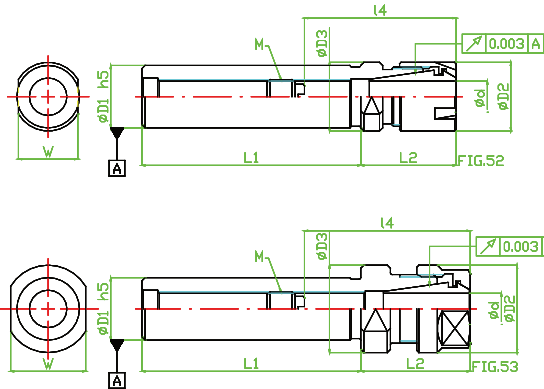
SSLD-ERM & SSLD-ER



SSLD=雙頭短鼻側固直柄  
SSLD=Double heads short nose  
straight shank with flat

## Straight shank ERM nut collet chucks & straight shank ER collet chucks

### 直柄 ERM 型螺帽筒夾延長桿 & 直柄 ER 筒夾延長桿



134

STOCK	CODE	FIG.	L1	L2	l4	ØD1	ØD2	ØD3	Ød	止動螺絲 (M) Screw Page154	W	筒夾 COLLET Page143	螺帽 NUT Page151	扳手 WRENCH Page154	重量 (KG) Weight
◎	S16-ER11M-150	52	150	24	63	16	16	16	0.5~7.0	M8*P1.0	14	ER11	N11MX nano	W-ER11M	0.20
○	S16-ER11-150	53	150	24	63	16	16	19	0.5~7.0	M8*P1.0	17	ER11	N11SX nano	W-ER11	0.20
STOCK	CODE	FIG.	L1	L2	l4	ØD1	ØD2	ØD3	Ød	止動螺絲 (M) Screw Page154	W	筒夾 COLLET Page143	螺帽 NUT Page151	扳手 WRENCH Page154	重量 (KG) Weight
	S20-ER16M-070	52	70	31	84	20	22	22	0.5~10.0	M11.P1.0	19	ER16	N16MX nano	W-ER16M	0.25
○	S20-ER16M-150	52	150	31	60	20	22	22	0.5~10.0	M11.P1.0	19	ER16	N16MX nano	W-ER16M	0.50
	S20-ER20M-070	52	70	33	85	20	28	28	0.5~13.0	M14.P1.0	25	ER20	N20MX nano	W-ER20M	0.30
○	S20-ER20M-150	52	150	33	60	20	28	28	0.5~13.0	M14.P1.0	25	ER20	N20MX nano	W-ER20M	0.55
	S20-ER16-070	53	70	35	88	20	28	28	0.5~10.0	M11.P1.0	24	ER16	N16SX nano	W-ER16	0.30
	S20-ER20-070	53	70	36	88	20	34	32	0.5~13.0	M14.P1.0	27	ER20	N20SX nano	W-ER20	0.35
STOCK	CODE	FIG.	L1	L2	l4	ØD1	ØD2	ØD3	Ød	止動螺絲 (M) Screw Page154	W	筒夾 COLLET Page143	螺帽 NUT Page151	扳手 WRENCH Page154	重量 (KG) Weight
	S25-ER16M-070	52	70	24	77	25	22	-	0.5~10.0	M11.P1.0	22	ER16	N16MX nano	W-ER16M	0.35
○	S25-ER16M-150	52	150	24	58	25	22	-	0.5~10.0	M11.P1.0	22	ER16	N16MX nano	W-ER16M	0.70
	S25-ER20M-070	52	70	33	85	25	28	28	0.5~13.0	M14.P1.0	25	ER20	N20MX nano	W-ER20M	0.35
○	S25-ER20M-150	52	150	33	58	25	28	28	0.5~13.0	M14.P1.0	25	ER20	N20MX nano	W-ER20M	0.70
	S25-ER25M-070	52	70	35	85	25	35	35	0.5~16.0	M18.P1.5	32	ER25	N25MX nano	W-ER25M	0.40
	S25-ER25M-150	52	150	35	58	25	35	35	0.5~16.0	M18.P1.5	32	ER25	N25MX nano	W-ER25M	0.70
○	S25-ER16-070	53	70	35	88	25	28	32	0.5~10.0	M11.P1.0	27	ER16	N16SX nano	W-ER16	0.35
○	S25-ER16-150	53	150	35	58	25	28	32	0.5~10.0	M11.P1.0	27	ER16	N16SX nano	W-ER16	0.70
	S25-ER20-070	53	70	36	88	25	34	32	0.5~13.0	M14.P1.0	27	ER20	N20SX nano	W-ER20	0.40
○	S25-ER25-070	53	70	40	91	25	42	40	0.5~16.0	M18.P1.5	36	ER25	N25SX nano	W-FK06	0.45
STOCK	CODE	FIG.	L1	L2	l4	ØD1	ØD2	ØD3	Ød	止動螺絲 (M) Screw Page154	W	筒夾 COLLET Page143	螺帽 NUT Page151	扳手 WRENCH Page154	重量 (KG) Weight
○	S32-ER20-080	53	80	36	98	32	34	36	0.5~13.0	M14.P1.0	32	ER20	N20SX nano	W-ER20	0.65
○	S32-ER25-080	53	80	40	101	32	42	40	0.5~16.0	M18.P1.5	36	ER25	N25SX nano	W-FK06	0.70
○	S32-ER32-080	53	80	48	107	32	50	50	2.0~20.0	M24.P1.5	46	ER32	N32SX nano	W-FK08	0.80
STOCK	CODE	FIG.	L1	L2	l4	ØD1	ØD2	ØD3	Ød	止動螺絲 (M) Screw Page154	W	筒夾 COLLET Page143	螺帽 NUT Page151	扳手 WRENCH Page154	重量 (KG) Weight
	S3/4-ER16M-070	52	70	31	79	19.05	22	22	0.5~10.0	M11.P1.0	19	ER16	N16MX nano	W-ER16M	0.20
	S3/4-ER11-070	53	70	24	79	19.05	19	22	0.5~7.0	M8*P1.0	19	ER11	N11SX nano	W-ER11	0.20
	S3/4-ER16-070	53	70	35	88	19.05	28	28	0.5~10.0	M11.P1.0	24	ER16	N16SX nano	W-ER16	0.20
	S3/4-ER20-070	53	70	36	88	19.05	34	32	0.5~13.0	M14.P1.0	27	ER20	N20SX nano	W-ER20	0.25
STOCK	CODE	FIG.	L1	L2	l4	ØD1	ØD2	ØD3	Ød	止動螺絲 (M) Screw Page154	W	筒夾 COLLET Page143	螺帽 NUT Page151	扳手 WRENCH Page154	重量 (KG) Weight
	S1-ER16M-070	52	70	24	77	25.4	22	-	0.5~10.0	M11.P1.0	22	ER16	N16MX nano	W-ER16M	0.35
	S1-ER20M-070	52	70	33	85	25.4	28	28	0.5~13.0	M14.P1.0	24	ER20	N20MX nano	W-ER20M	0.35
	S1-ER16-070	53	70	35	88	25.4	28	32	0.5~10.0	M11.P1.0	27	ER16	N16SX nano	W-ER16	0.35
	S1-ER20-070	53	70	36	88	25.4	34	32	0.5~13.0	M14.P1.0	27	ER20	N20SX nano	W-ER20	0.40
	S1-ER25-070	53	70	40	91	25.4	42	40	0.5~16.0	M18.P1.5	36	ER25	N25SX nano	W-FK06	0.45

產品FIG.52 & 53有M的出貨附件為長度調整螺絲

BK-ERxx-Mxx\*1pc // PRODUCTS IN FIG.52 & 53 WITH M EQUIP WITH BACK UP SCREW BK-ERxx-Mxx\*1pc

產品FIG.52出貨附件為高速平衡奈米螺帽NxxMX nano\*1pc // PRODUCTS IN FIG.52 EQUIP WITH BALANCED NANO NUT NxxMX nano\*1pc

產品FIG.53出貨附件為高速平衡奈米螺帽NxxSX nano\*1pc // PRODUCTS IN FIG.53 EQUIP WITH BALANCED NANO NUT NxxSX nano\*1pc

STOCK ◎=標準在庫品 // STOCK ○=regular stock | STOCK ○=少量在庫品 // STOCK ○=few stock | STOCK無標示=接單生產品 // STOCK

BLANK=on request

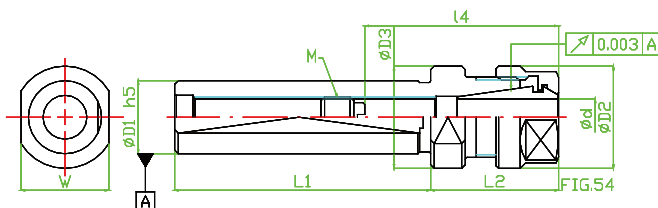
ER筒夾和扳手是另購品 // ER COLLET AND WRENCH TO BE ORDERED SEPARATELY



# SL-ERM & ER SPEED TIGER

■ Straight shank with flat ERM nut collet chucks & straight shank with flat ER collet chucks

- 側固直柄 ERM 型螺帽筒夾延長桿 & 側固直柄 ER 筒夾延長桿



135

STOCK	CODE	FIG.	L1	L2	l4	ØD1	ØD2	ØD3	Ød	止動螺絲 (M) Screw Page154	W	筒夾 COLLET Page143	螺帽 NUT Page151	板手 WRENCH Page154	重量 (KG) Weight
	SL16-ER11-070	54	70	24	79	16	19	22	0.5~7.0	M8*P1.0	19	ER11	N11SX nano	W-ER11	0.20
STOCK	CODE	FIG.	L1	L2	l4	ØD1	ØD2	ØD3	Ød	止動螺絲 (M) Screw Page154	W	筒夾 COLLET Page143	螺帽 NUT Page151	板手 WRENCH Page154	重量 (KG) Weight
○	SL20-ER11-070	54	70	24	79	20	19	22	0.5~7.0	M8*P1.0	19	ER11	N11SX nano	W-ER11	0.20
○	SL20-ER11-105	54	105	24	79	20	19	22	0.5~7.0	M8*P1.0	19	ER11	N11SX nano	W-ER11	0.25
◎	SL20-ER16-070	54	70	35	88	20	28	28	0.5~10.0	M11.P1.0	24	ER16	N16SX nano	W-ER16	0.25
◎	SL20-ER20-070	54	70	36	88	20	34	32	0.5~13.0	M14.P1.0	27	ER20	N20SX nano	W-ER20	0.30
STOCK	CODE	FIG.	L1	L2	l4	ØD1	ØD2	ØD3	Ød	止動螺絲 (M) Screw Page154	W	筒夾 COLLET Page143	螺帽 NUT Page151	板手 WRENCH Page154	重量 (KG) Weight
○	SL22-ER11-105	54	105	24	79	22	19	27	0.5~7.0	M8*P1.0	24	ER11	N11SX nano	W-ER11	0.35
○	SL22-ER16-105	54	105	35	93	22	28	28	0.5~10.0	M11.P1.0	24	ER16	N16SX nano	W-ER16	0.40
STOCK	CODE	FIG.	L1	L2	l4	ØD1	ØD2	ØD3	Ød	止動螺絲 (M) Screw Page154	W	筒夾 COLLET Page143	螺帽 NUT Page151	板手 WRENCH Page154	重量 (KG) Weight
◎	SL25-ER16-070	54	70	28	81	25	28	32	0.5~10.0	M11.P1.0	27	ER16	N16SX nano	W-ER16	0.35
○	SL25-ER16-105	54	105	28	86	25	28	32	0.5~10.0	M11.P1.0	27	ER16	N16SX nano	W-ER16	0.50
◎	SL25-ER20-070	54	70	34	88	25	34	32	0.5~13.0	M14.P1.0	27	ER20	N20SX nano	W-ER20	0.40
◎	SL25-ER25-070	54	70	42	91	25	42	40	0.5~16.0	M18.P1.5	36	ER25	N25SX nano	W-FK06	0.45
STOCK	CODE	FIG.	L1	L2	l4	ØD1	ØD2	ØD3	Ød	止動螺絲 (M) Screw Page154	W	筒夾 COLLET Page143	螺帽 NUT Page151	板手 WRENCH Page154	重量 (KG) Weight
◎	SL32-ER20-080	54	80	36	116	32	34	36	0.5~13.0	M14.P1.0	32	ER20	N20SX nano	W-ER20	0.65
◎	SL32-ER25-080	54	80	40	120	32	42	40	0.5~16.0	M18.P1.5	36	ER25	N25SX nano	W-FK06	0.70
◎	SL32-ER32-080	54	80	48	128	32	50	50	2.0~20.0	M24.P1.5	46	ER32	N32SX nano	W-FK08	0.80
STOCK	CODE	FIG.	L1	L2	l4	ØD1	ØD2	ØD3	Ød	止動螺絲 (M) Screw Page154	W	筒夾 COLLET Page143	螺帽 NUT Page151	板手 WRENCH Page154	重量 (KG) Weight
◎	SL40-ER32-110	54	110	48	112	40	50	50	2.0~20.0	M24.P1.5	46	ER32	N32SX nano	W-FK08	1.20
◎	SL40-ER40-110	54	110	54	118	40	63	58	3.0~26.0	M28.P1.5	50	ER40	N40SX nano	W-FK09	1.40
STOCK	CODE	FIG.	L1	L2	l4	ØD1	ØD2	ØD3	Ød	止動螺絲 (M) Screw Page154	W	筒夾 COLLET Page143	螺帽 NUT Page151	板手 WRENCH Page154	重量 (KG) Weight
	SL3/4-ER11-070	54	70	24	79	19.05	19	22	0.5~7.0	M8*P1.0	19	ER11	N11SX nano	W-ER11	0.20
	SL3/4-ER16-070	54	70	35	88	19.05	28	28	0.5~10.0	M11.P1.0	24	ER16	N16SX nano	W-ER16	0.20
	SL3/4-ER20-070	54	70	36	88	19.05	34	32	0.5~13.0	M14.P1.0	27	ER20	N20SX nano	W-ER20	0.25
STOCK	CODE	FIG.	L1	L2	l4	ØD1	ØD2	ØD3	Ød	止動螺絲 (M) Screw Page154	W	筒夾 COLLET Page143	螺帽 NUT Page151	板手 WRENCH Page154	重量 (KG) Weight
	SL1-ER16-070	54	70	35	88	25.4	28	32	0.5~10.0	M11.P1.0	27	ER16	N16SX nano	W-ER16	0.35
○	SL1-ER16-105	54	105	35	123	25.4	28	32	0.5~10.0	M11.P1.0	27	ER16	N16SX nano	W-ER16	0.50
	SL1-ER20-070	54	70	36	88	25.4	34	32	0.5~13.0	M14.P1.0	27	ER20	N20SX nano	W-ER20	0.40
	SL1-ER25-070	54	70	40	91	25.4	42	40	0.5~16.0	M18.P1.5	36	ER25	N25SX nano	W-FK06	0.45

產品FIG.54有M的出貨附件為長度調整螺絲

BK-ERxx-Mxx\*1pc // PRODUCTS IN FIG.54 WITH M EQUIP WITH BACK UP SCREW BK-ERxx-Mxx\*1pc

產品FIG.54出貨附件為高速平衡奈米螺帽

NxxSX nano\*1pc // PRODUCTS IN FIG.54 EQUIP WITH BALANCED NANO NUT NxxSX nano\*1pc

STOCK ◎=標準在庫品 // STOCK ○=regular stock | STOCK ○=少量在庫品 // STOCK ○=few stock | STOCK無標示=接單生產品 // STOCK

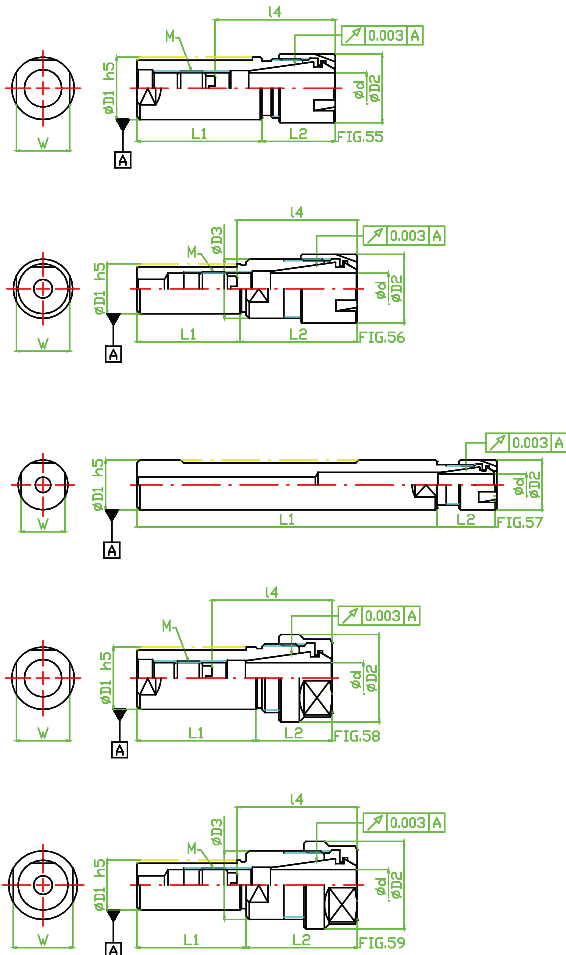
BLANK=on request

ER筒夾和板手是另購品 // ER COLLET AND WRENCH TO BE ORDERED SEPARATELY

# SSL-ERM & ER

Short nose type straight shank with flat ERM nut collet chucks & Short nose type straight shank with flat ER collet chucks

- 短鼻型側固直柄 ERM 型螺帽 SSL-ERM & SSL-ER 筒夾延長桿 & 短鼻型側固直柄 ER 筒夾延長桿



136

STOCK	CODE	FIG.	L1	L2	L4	ØD1	ØD2	ØD3	Ød	止動螺絲 (M) Screw Page154	W	筒夾 COLLET Page143	螺帽 NUT Page151	扳手 WRENCH Page154	重量 (KG) Weight
	SSL16-ER11M-035	55	35	17	37	16	16	-	0.5~7.0	M8*P1.0	14	ER11	N11MX nano	W-ER11M	0.10
○	SSL16-ER11M-070	55	70	17	57	16	16	-	0.5~7.0	M8*P1.0	14	ER11	N11MX nano	W-ER11M	0.15
◎	SSL16-ER11M-151	57	151	20	-	16	16	-	0.5~7.0	-	14	ER11	N11MX nano	W-ER11M	0.25
	SSL16-ER16M-035	56	35	35	43	16	22	19	0.5~10.0	M11.P1.0	17	ER16	N16MX nano	W-ER16M	0.10
◎	SSL16-ER16M-070	56	70	35	43	16	22	19	0.5~10.0	M11.P1.0	17	ER16	N16MX nano	W-ER16M	0.15
	SSL16-ER20M-035	56	35	40	48	16	28	24	0.5~13.0	M14.P1.0	22	ER20	N20MX nano	W-ER20M	0.15
	SSL16-ER11-035	58	35	16	36	16	19	-	0.5~7.0	M8*P1.0	14	ER11	N11SX nano	W-ER11	0.10
◎	SSL16-ER11-070	58	70	16	56	16	19	-	0.5~7.0	M8*P1.0	14	ER11	N11SX nano	W-ER11	0.15
	SSL16-ER16-035	59	35	35	43	16	28	22	0.5~10.0	M11.P1.0	19	ER16	N16SX nano	W-ER16	0.15
	SSL16-ER16-070	59	70	35	43	16	28	22	0.5~10.0	M11.P1.0	19	ER16	N16SX nano	W-ER16	0.20
○	SSL16-ER20-035T	59	35	40	48	16	34	25	0.5~13.0	M11.P1.0	22	ER20	N20SX nano	W-ER20	0.20

產品FIG.55, 56, 57, 58 & 59有M的出貨附件為長度調整螺絲

BK-ERxx-Mxx\*1pc // PRODUCTS IN FIG.55, 56, 57, 58 & 59 WITH M EQUIP WITH BACK UP SCREW BK-ERxx-Mxx\*1pc

產品FIG.55, 56 & 57出貨附件為高速平衡奈米螺帽NxxMX nano\*1pc // PRODUCTS IN FIG.52 EQUIP WITH BALANCED NANO NUT NxxMX nano\*1pc

產品FIG.58 & 59出貨附件為高速平衡奈米螺帽NxxSX nano\*1pc // PRODUCTS IN FIG.58 & 59 EQUIP WITH BALANCED NANO NUT NxxSX nano\*1pc

STOCK ◎=標準在庫品 // STOCK ○=regular stock | STOCK ○=少量在庫品 // STOCK ○=few stock | STOCK無標示=接單生產品 // STOCK BLANK=on request

ER筒夾和扳手是另購品 // ER COLLET AND WRENCH TO BE ORDERED SEPARATELY

# SSL-ERM & ER

SPEED TIGER

Short nose type straight shank with flat ERM nut collet chucks & Short nose type straight shank with flat ER collet chucks

● 短鼻型側固直柄 ERM 型螺帽筒夾延長桿 & 短鼻型側固直柄 ER 筒夾延長桿

STOCK	CODE	FIG.	L1	L2	I4	ØD1	ØD2	ØD3	Ød	止動螺絲 (M) Screw Page154	W	筒夾 COLLET Page143	螺帽 NUT Page151	扳手 WRENCH Page154	重量 (KG) Weight
	SSL20-ER11M-040	55	40	17	37	20	16	-	0.5~7.0	M8*P1.0	17	ER11	N11MX nano	W-ER11M	0.15
	SSL20-ER11M-070	55	70	17	57	20	16	-	0.5~7.0	M8*P1.0	17	ER11	N11MX nano	W-ER11M	0.20
	SSL20-ER11M-105	55	105	17	67	20	16	-	0.5~7.0	M8*P1.0	17	ER11	N11MX nano	W-ER11M	0.25
	SSL20-ER16M-040	55	40	24	47	20	22	-	0.5~10.0	M11.P1.0	17	ER16	N16MX nano	W-ER16M	0.15
◎	SSL20-ER16M-070	55	70	24	72	20	22	-	0.5~10.0	M11.P1.0	17	ER16	N16MX nano	W-ER16M	0.20
	SSL20-ER16M-105	55	105	24	82	20	22	-	0.5~10.0	M11.P1.0	17	ER16	N16MX nano	W-ER16M	0.30
◎	SSL20-ER16M-137	57	137	27	-	20	22	-	0.5~10.0	-	17	ER16	N16MX nano	W-ER16M	0.35
	SSL20-ER20M-040	56	40	30	44	20	28	24	0.5~13.0	M14.P1.0	22	ER20	N20MX nano	W-ER20M	0.15
◎	SSL20-ER20M-070	56	70	30	44	20	28	24	0.5~13.0	M14.P1.0	22	ER20	N20MX nano	W-ER20M	0.20
	SSL20-ER20M-105	56	105	30	44	20	28	24	0.5~13.0	M14.P1.0	22	ER20	N20MX nano	W-ER20M	0.30
○	SSL20-ER11-040	58	40	16	41	20	19	-	0.5~7.0	M8*P1.0	17	ER11	N11SX nano	W-ER11	0.15
○	SSL20-ER11-068(Y1751#0100)	58	68	18	-	20	19	-	0.5~7.0	-	17	ER11	N11SX nano	W-ER11	0.20
◎	SSL20-ER11-070	58	70	16	61	20	19	-	0.5~7.0	M8*P1.0	17	ER11	N11SX nano	W-ER11	0.20
○	SSL20-ER11-105	58	105	16	76	20	19	-	0.5~7.0	M8*P1.0	17	ER11	N11SX nano	W-ER11	0.30
○	SSL20-ER16-040	59	40	22	45	20	28	-	0.5~10.0	M11.P1.0	17	ER16	N16SX nano	W-ER16	0.15
◎	SSL20-ER16-070	59	70	22	70	20	28	-	0.5~10.0	M11.P1.0	17	ER16	N16SX nano	W-ER16	0.20
	SSL20-ER16-105	59	105	22	80	20	28	-	0.5~10.0	M11.P1.0	17	ER16	N16SX nano	W-ER16	0.30
	SSL20-ER20-040	59	40	30	70	20	34	25	0.5~13.0	M14.P1.0	22	ER20	N20SX nano	W-ER20	0.20
	SSL20-ER20-070	59	70	30	100	20	34	25	0.5~13.0	M14.P1.0	22	ER20	N20SX nano	W-ER20	0.25
○	SSL20-ER20-105	59	105	30	135	20	34	25	0.5~13.0	M14.P1.0	22	ER20	N20SX nano	W-ER20	0.35
○	SSL20-ER25-060	59	60	35	52	20	42	32	0.5~16.0	M18.P1.5	27	ER25	N25SX nano	W-FK06	0.35
STOCK	CODE	FIG.	L1	L2	I4	ØD1	ØD2	ØD3	Ød	止動螺絲 (M) Screw Page154	W	筒夾 COLLET Page143	螺帽 NUT Page151	扳手 WRENCH Page154	重量 (KG) Weight
◎	SSL22-ER16M-071(#301-25-010)	55	71	32	-	22	22	-	0.5~10.0	-	19	ER16	N16MX nano	W-ER16M	0.25
◎	SSL22-ER16M-098(#301-24-010)	55	98	32	-	22	22	-	0.5~10.0	-	19	ER16	N16MX nano	W-ER16M	0.30
STOCK	CODE	FIG.	L1	L2	I4	ØD1	ØD2	ØD3	Ød	止動螺絲 (M) Screw Page154	W	筒夾 COLLET Page143	螺帽 NUT Page151	扳手 WRENCH Page154	重量 (KG) Weight
○	SSL23-ER16M-075(#3200359)	55	75	24	82	23	22	-	0.5~10.0	-	19	ER16	N16MX nano	W-ER16M	0.25
STOCK	CODE	FIG.	L1	L2	I4	ØD1	ØD2	ØD3	Ød	止動螺絲 (M) Screw Page154	W	筒夾 COLLET Page143	螺帽 NUT Page151	扳手 WRENCH Page154	重量 (KG) Weight
	SSL25-ER16M-050	55	50	24	57	25	22	-	0.5~10.0	M11.P1.0	22	ER16	N16MX nano	W-ER16M	0.20
○	SSL25-ER16M-070	55	70	24	72	25	22	-	0.5~10.0	M11.P1.0	22	ER16	N16MX nano	W-ER16M	0.25
○	SSL25-ER16M-105	55	105	24	82	25	22	-	0.5~10.0	M11.P1.0	22	ER16	N16MX nano	W-ER16M	0.35
	SSL25-ER20M-050	55	50	26	58	25	28	-	0.5~13.0	M14.P1.0	22	ER20	N20MX nano	W-ER20M	0.20
◎	SSL25-ER20M-070	55	70	26	78	25	28	-	0.5~13.0	M14.P1.0	22	ER20	N20MX nano	W-ER20M	0.25
○	SSL25-ER20M-105	55	105	26	83	25	28	-	0.5~13.0	M14.P1.0	22	ER20	N20MX nano	W-ER20M	0.35
◎	SSL25-ER20M-137.5	57	138	29	-	25	28	-	0.5~13.0	-	22	ER20	N20MX nano	W-ER20M	0.45
	SSL25-ER11-050	58	50	16	66	25	19	-	0.5~7.0	M8*P1.0	22	ER11	N11SX nano	W-ER11	0.20
○	SSL25-ER11-062T	58	62	18	-	25	19	-	0.5~7.0	-	22	ER11	N11SX nano	W-ER11	0.25
◎	SSL25-ER11-070	58	70	16	86	25	19	-	0.5~7.0	M8*P1.0	22	ER11	N11SX nano	W-ER11	0.30
	SSL25-ER11-105	58	105	16	121	25	19	-	0.5~7.0	M8*P1.0	22	ER11	N11SX nano	W-ER11	0.35
○	SSL25-ER16-050	58	50	23	73	25	28	-	0.5~10.0	M11.P1.0	22	ER16	N16SX nano	W-ER16	0.20
○	SSL25-ER16-062T	58	62	23	-	25	28	-	0.5~10.0	-	22	ER16	N16SX nano	W-ER16	0.30
◎	SSL25-ER16-070	58	70	23	93	25	28	-	0.5~10.0	M11.P1.0	22	ER16	N16SX nano	W-ER16	0.30
○	SSL25-ER16-105	58	105	23	128	25	28	-	0.5~10.0	M11.P1.0	22	ER16	N16SX nano	W-ER16	0.40
○	SSL25-ER20-050	58	50	24	56	25	34	-	0.5~13.0	M14.P1.0	22	ER20	N20SX nano	W-ER20	0.25
◎	SSL25-ER20-070	58	70	24	76	25	34	-	0.5~13.0	M14.P1.0	22	ER20	N20SX nano	W-ER20	0.35
○	SSL25-ER20-105	58	105	24	81	25	34	-	0.5~13.0	M14.P1.0	22	ER20	N20SX nano	W-ER20	0.40
◎	SSL25-ER25-050	59	50	35	52	25	42	32	0.5~16.0	M18.P1.5	27	ER25	N25SX nano	W-FK06	0.35
STOCK	CODE	FIG.	L1	L2	I4	ØD1	ØD2	ØD3	Ød	止動螺絲 (M) Screw Page154	W	筒夾 COLLET Page143	螺帽 NUT Page151	扳手 WRENCH Page154	重量 (KG) Weight
○	SSL32-ER20-060	58	60	24	68	32	34	-	0.5~13.0	M14.P1.0	27	ER20	N20SX nano	W-ER20	0.40
○	SSL32-ER25-060	58	60	27	68	32	42	-	0.5~16.0	M18.P1.5	27	ER25	N25SX nano	W-FK06	0.45
	SSL32-ER32-060	59	60	40	79	32	50	40	2.0~20.0	M24.P1.5	36	ER32	N32SX nano	W-FK08	0.50

產品FIG.55, 56, 57, 58 & 59有M的出貨附件為長度調整螺絲

BK-ERxx-Mxx\*1pc // PRODUCTS IN FIG.55, 56, 57, 58 & 59 WITH M EQUIP WITH BACK UP SCREW BK-ERxx-Mxx\*1pc

產品FIG.55, 56 & 57出貨附件為高速平衡奈米螺帽NxxMX nano\*1pc // PRODUCTS IN FIG.52 EQUIP WITH BALANCED NANO NUT NxxMX nano\*1pc

產品FIG.58 & 59出貨附件為高速平衡奈米螺帽NxxSX nano\*1pc // PRODUCTS IN FIG.58 & 59 EQUIP WITH BALANCED NANO NUT NxxSX nano\*1pc

STOCK ◎=標準在庫品 // STOCK ○=regular stock | STOCK ○=少量在庫品 // STOCK ○=few stock | STOCK無標示=接單生產品 // STOCK BLANK=on request

ER筒夾和扳手是另購品 // ER COLLET AND WRENCH TO BE ORDERED SEPARATELY

# SSL-ERM & ER

Short nose type straight shank with flat ERM nut collet chucks & Short nose type straight shank with flat ER collet chucks

- 短鼻型側固直柄 ERM 型螺帽筒夾延長桿 & 短鼻型側固直柄 ER 筒夾延長桿

STOCK	CODE	FIG.	L1	L2	l4	ØD1	ØD2	ØD3	Ød	止動螺絲 (M) Screw Page154	W	筒夾 COLLET Page143	螺帽 NUT Page151	扳手 WRENCH Page154	重量 (KG) Weight
	SSL5/8-ER11M-035	55	35	17	37	15.875	16	-	0.5~7.0	M8*P1.0	14	ER11	N11MX nano	W-ER11M	0.10
	SSL5/8-ER11M-070	55	70	17	57	15.875	16	-	0.5~7.0	M8*P1.0	14	ER11	N11MX nano	W-ER11M	0.15
	SSL5/8-ER16M-035	56	35	35	43	15.875	22	19	0.5~10.0	M11.P1.0	17	ER16	N16MX nano	W-ER16M	0.10
	SSL5/8-ER16M-070	56	70	35	43	15.875	22	19	0.5~10.0	M11.P1.0	17	ER16	N16MX nano	W-ER16M	0.15
	SSL5/8-ER20M-035	56	35	40	48	15.875	28	24	0.5~13.0	M11.P1.0	22	ER20	N20MX nano	W-ER20M	0.15
	SSL5/8-ER11-035	58	35	16	36	15.875	19	-	0.5~7.0	M8*P1.0	14	ER11	N11SX nano	W-ER11	0.10
◎	SSL5/8-ER11-070	58	70	16	56	15.875	19	-	0.5~7.0	M8*P1.0	14	ER11	N11SX nano	W-ER11	0.15
○	SSL5/8-ER16-035T	59	35	27	-	15.875	28	22	0.5~10.0	-	19	ER16	N16SX nano	W-ER16	0.15
	SSL5/8-ER16-070	59	70	35	43	15.875	28	22	0.5~10.0	M11.P1.0	19	ER16	N16SX nano	W-ER16	0.15
○	SSL5/8-ER20-035T	59	35	44	47	15.875	34	25	0.5~13.0	M11.P1.0	22	ER20	N20SX nano	W-ER20	0.20
STOCK	CODE	FIG.	L1	L2	l4	ØD1	ØD2	ØD3	Ød	止動螺絲 (M) Screw Page154	W	筒夾 COLLET Page143	螺帽 NUT Page151	扳手 WRENCH Page154	重量 (KG) Weight
	SSL3/4-ER11M-040	55	40	17	37	19.05	16	-	0.5~7.0	M8*P1.0	17	ER11	N11MX nano	W-ER11M	0.10
	SSL3/4-ER11M-070	55	70	17	57	19.05	16	-	0.5~7.0	M8*P1.0	17	ER11	N11MX nano	W-ER11M	0.15
	SSL3/4-ER11M-105	55	105	17	67	19.05	16	-	0.5~7.0	M8*P1.0	17	ER11	N11MX nano	W-ER11M	0.20
◎	SSL3/4-ER16M-040	55	40	24	47	19.05	22	-	0.5~10.0	M11.P1.0	17	ER16	N16MX nano	W-ER16M	0.15
◎	SSL3/4-ER16M-070	55	70	24	72	19.05	22	-	0.5~10.0	M11.P1.0	17	ER16	N16MX nano	W-ER16M	0.20
◎	SSL3/4-ER16M-105	55	105	24	82	19.05	22	-	0.5~10.0	M11.P1.0	17	ER16	N16MX nano	W-ER16M	0.25
	SSL3/4-ER20M-040	56	40	30	44	19.05	28	24	0.5~13.0	M14.P1.0	22	ER20	N20MX nano	W-ER20M	0.15
○	SSL3/4-ER20M-070	56	70	30	44	19.05	28	24	0.5~13.0	M14.P1.0	22	ER20	N20MX nano	W-ER20M	0.20
	SSL3/4-ER20M-105	56	105	30	44	19.05	28	24	0.5~13.0	M14.P1.0	22	ER20	N20MX nano	W-ER20M	0.25
○	SSL3/4-ER11-040	58	40	16	41	19.05	19	-	0.5~7.0	M8*P1.0	17	ER11	N11SX nano	W-ER11	0.15
◎	SSL3/4-ER11-070	58	70	16	61	19.05	19	-	0.5~7.0	M8*P1.0	17	ER11	N11SX nano	W-ER11	0.20
○	SSL3/4-ER11-105	58	105	16	76	19.05	19	-	0.5~7.0	M8*P1.0	17	ER11	N11SX nano	W-ER11	0.25
○	SSL3/4-ER16-040	59	40	22	45	19.05	28	-	0.5~10.0	M11.P1.0	17	ER16	N16SX nano	W-ER16	0.15
◎	SSL3/4-ER16-040(#561-130)	59	40	25	-	19.05	28	-	0.5~10.0	-	17	ER16	N16SX nano	W-ER16	0.15
○	SSL3/4-ER16-070	59	70	22	70	19.05	28	-	0.5~10.0	M11.P1.0	17	ER16	N16SX nano	W-ER16	0.20
○	SSL3/4-ER16-105	59	105	22	80	19.05	28	-	0.5~10.0	M11.P1.0	17	ER16	N16SX nano	W-ER16	0.25
	SSL3/4-ER20-040	59	40	30	44	19.05	34	25	0.5~13.0	M14.P1.0	22	ER20	N20SX nano	W-ER20	0.20
	SSL3/4-ER20-070	59	70	30	44	19.05	34	25	0.5~13.0	M14.P1.0	22	ER20	N20SX nano	W-ER20	0.25
	SSL3/4-ER20-105	59	105	30	44	19.05	34	25	0.5~13.0	M14.P1.0	22	ER20	N20SX nano	W-ER20	0.30
STOCK	CODE	FIG.	L1	L2	l4	ØD1	ØD2	ØD3	Ød	止動螺絲 (M) Screw Page154	W	筒夾 COLLET Page143	螺帽 NUT Page151	扳手 WRENCH Page154	重量 (KG) Weight
◎	SSL1-ER16M-050	55	50	24	57	25.4	22	-	0.5~10.0	M11.P1.0	22	ER16	N16MX nano	W-ER16M	0.25
◎	SSL1-ER16M-070	55	70	24	72	25.4	22	-	0.5~10.0	M11.P1.0	22	ER16	N16MX nano	W-ER16M	0.30
◎	SSL1-ER16M-105	55	105	24	82	25.4	22	-	0.5~10.0	M11.P1.0	22	ER16	N16MX nano	W-ER16M	0.40
	SSL1-ER20M-050	55	50	26	58	25.4	28	-	0.5~13.0	M14.P1.0	22	ER20	N20MX nano	W-ER20M	0.25
	SSL1-ER20M-070	55	70	26	78	25.4	28	-	0.5~13.0	M14.P1.0	22	ER20	N20MX nano	W-ER20M	0.30
	SSL1-ER20M-105	55	105	26	83	25.4	28	-	0.5~13.0	M14.P1.0	22	ER20	N20MX nano	W-ER20M	0.45
	SSL1-ER11-050	58	50	16	51	25.4	19	-	0.5~7.0	M8*P1.0	22	ER11	N11SX nano	W-ER11	0.25
	SSL1-ER11-070	58	70	16	71	25.4	19	-	0.5~7.0	M8*P1.0	22	ER11	N11SX nano	W-ER11	0.30
○	SSL1-ER11-085T	58	85	18	-	25.4	19	-	0.5~7.0	-	22	ER11	N11SX nano	W-ER11	0.35
	SSL1-ER11-105	58	105	16	76	25.4	19	-	0.5~7.0	M8*P1.0	22	ER11	N11SX nano	W-ER11	0.40
	SSL1-ER16-050	58	50	23	56	25.4	28	-	0.5~10.0	M11.P1.0	22	ER16	N16SX nano	W-ER16	0.25
	SSL1-ER16-070	58	70	23	76	25.4	28	-	0.5~10.0	M11.P1.0	22	ER16	N16SX nano	W-ER16	0.35
○	SSL1-ER16-074(#562-166)	58	74	26	-	25.4	28	-	0.5~10.0	-	22	ER16	N16SX nano	W-ER16	0.40
	SSL1-ER16-105	58	105	23	81	25.4	28	-	0.5~10.0	M11.P1.0	22	ER16	N16SX nano	W-ER16	0.45
	SSL1-ER20-050	58	50	24	56	25.4	34	-	0.5~13.0	M14.P1.0	22	ER20	N20SX nano	W-ER20	0.30
	SSL1-ER20-070	58	70	24	76	25.4	34	-	0.5~13.0	M14.P1.0	22	ER20	N20SX nano	W-ER20	0.40
	SSL1-ER20-105	58	105	24	81	25.4	34	-	0.5~13.0	M14.P1.0	22	ER20	N20SX nano	W-ER20	0.45
	SSL1-ER25-050	58	50	35	52	25.4	42	32	0.5~16.0	M18.P1.5	27	ER25	N25SX nano	W-FK06	0.30

產品 FIG. 55, 56, 57, 58 & 59 有 M 的出貨附件為長度調整螺絲

BK-ERxx-Mxx\*1pc // PRODUCTS IN FIG. 55, 56, 57, 58 & 59 WITH M EQUIP WITH BACK UP SCREW BK-ERxx-Mxx\*1pc

產品 FIG. 55, 56 & 57 出貨附件為高速平衡奈米螺帽

NxxMX nano\*1pc // PRODUCTS IN FIG. 52 EQUIP WITH BALANCED NANO NUT NxxMX nano\*1pc

產品 FIG. 58 & 59 出貨附件為高速平衡奈米螺帽

NxxSX nano\*1pc // PRODUCTS IN FIG. 58 & 59 EQUIP WITH BALANCED NANO NUT NxxSX nano\*1pc

STOCK ◎=標準在庫品 // STOCK ○=regular stock | STOCK ○=少量在庫品 // STOCK ○=few stock | STOCK 無標示=接單生產品 // STOCK

BLANK=on request

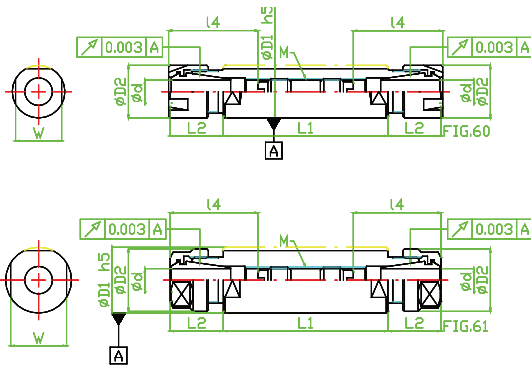
ER 筒夾和扳手是另購品 // ER COLLET AND WRENCH TO BE ORDERED SEPARATELY

# SSLD-ERM & ER

SPEED TIGER

Double heads short nose type straight shank with flat ERM nut collet chucks & Double heads short nose type straight shank with flat ER collet chucks

- 雙頭短鼻型側固直柄 ERM 型螺帽筒夾延長桿 & 雙頭短鼻型側固直柄 ER 筒夾延長桿



STOCK	CODE	FIG.	L1	L2	I4	ØD1	ØD2	ØD3	Ød	止動螺絲 (M) Screw Page154	W	筒夾 COLLET Page143	螺帽 NUT Page151	扳手 WRENCH Page154	重量 (KG) Weight
○	SSLD16-ER11M-030	60	30	17	-	16	16	-	0.5~7.0	M8*P1.0	14	ER11	N11MX nano	W-ER11M	0.10
	SSLD16-ER11M-050	60	50	17	-	16	16	-	0.5~7.0	M8*P1.0	14	ER11	N11MX nano	W-ER11M	0.15
STOCK	CODE	FIG.	L1	L2	I4	ØD1	ØD2	ØD3	Ød	止動螺絲 (M) Screw Page154	W	筒夾 COLLET Page151	螺帽 NUT Page151	扳手 WRENCH Page154	重量 (KG) Weight
	SSLD20-ER11M-030	60	30	17	-	20	16	-	0.5~7.0	M8*P1.0	17	ER11	N11MX nano	W-ER11M	0.10
	SSLD20-ER11M-050	60	50	17	-	20	16	-	0.5~7.0	M8*P1.0	17	ER11	N11MX nano	W-ER11M	0.15
◎	SSLD20-ER11-033	61	33	16	-	20	19	-	0.5~7.0	M8*P1.0	17	ER11	N11SX nano	W-ER11	0.15
◎	SSLD20-ER11-053	61	53	16	-	20	19	-	0.5~7.0	M8*P1.0	17	ER11	N11SX nano	W-ER11	0.20
◎	SSLD20-ER11-082(Y1751#0100)	61	82	18	-	20	19	-	0.5~7.0	-	17	ER11	N11SX nano	W-ER11	0.20
STOCK	CODE	FIG.	L1	L2	I4	ØD1	ØD2	ØD3	Ød	止動螺絲 (M) Screw Page154	W	筒夾 COLLET Page143	螺帽 NUT Page151	扳手 WRENCH Page154	重量 (KG) Weight
◎	SSLD22-ER16M-067(#421-22-010)	60	67	24	-	22	22	-	0.5~10.0	-	19	ER16	N16MX nano	W-ER16M	0.25
◎	SSLD22-ER16M-080(#421-27-010)	60	80	24	-	22	22	-	0.5~10.0	-	19	ER16	N16MX nano	W-ER16M	0.30
STOCK	CODE	FIG.	L1	L2	I4	ØD1	ØD2	ØD3	Ød	止動螺絲 (M) Screw Page154	W	筒夾 COLLET Page143	螺帽 NUT Page151	扳手 WRENCH Page154	重量 (KG) Weight
○	SSLD23-ER16M-040(#3110511)	60	40	26	-	23	22	-	0.5~10.0	-	16	ER16	N16MX nano	W-ER16M	0.25
○	SSLD23-ER16M-060(#3110510)	60	60	26	-	23	22	-	0.5~10.0	-	16	ER16	N16MX nano	W-ER16M	0.30
STOCK	CODE	FIG.	L1	L2	I4	ØD1	ØD2	ØD3	Ød	止動螺絲 (M) Screw Page154	W	筒夾 COLLET Page143	螺帽 NUT Page151	扳手 WRENCH Page154	重量 (KG) Weight
◎	SSLD25-ER16M-062	60	62	24	-	25	22	-	0.5~10.0	M11.P1.0	22	ER16	N16MX nano	W-ER16M	0.30
	SSLD25-ER16M-080	60	80	24	-	25	22	-	0.5~10.0	M11.P1.0	22	ER16	N16MX nano	W-ER16M	0.35
○	SSLD25-ER11-050	61	50	16	-	25	19	-	0.5~7.0	M8*P1.0	22	ER11	N11SX nano	W-ER11	0.30
◎	SSLD25-ER11-082T	61	82	16	-	25	19	-	0.5~7.0	M8*P1.0	22	ER11	N11SX nano	W-ER11	0.35
STOCK	CODE	FIG.	L1	L2	I4	ØD1	ØD2	ØD3	Ød	止動螺絲 (M) Screw Page154	W	筒夾 COLLET Page143	螺帽 NUT Page151	扳手 WRENCH Page154	重量 (KG) Weight
	SSLD32-ER20M-055	60	55	26	-	32	28	-	0.5~13.0	M14.P1.0	27	ER20	N20MX nano	W-ER20M	0.40
○	SSLD32-ER20M-085	60	85	26	-	32	28	-	0.5~13.0	M14.P1.0	27	ER20	N20MX nano	W-ER20M	0.55
STOCK	CODE	FIG.	L1	L2	I4	ØD1	ØD2	ØD3	Ød	止動螺絲 (M) Screw Page154	W	筒夾 COLLET Page143	螺帽 NUT Page151	扳手 WRENCH Page154	重量 (KG) Weight
	SSLD5/8-ER11M-030	60	30	17	-	15.875	16	-	0.5~7.0	M8*P1.0	14	ER11	N11MX nano	W-ER11M	0.10
	SSLD5/8-ER11M-050	60	50	17	-	15.875	16	-	0.5~7.0	M8*P1.0	14	ER11	N11MX nano	W-ER11M	0.15
STOCK	CODE	FIG.	L1	L2	I4	ØD1	ØD2	ØD3	Ød	止動螺絲 (M) Screw Page154	W	筒夾 COLLET Page143	螺帽 NUT Page151	扳手 WRENCH Page154	重量 (KG) Weight
	SSLD3/4-ER11M-030	60	30	17	-	19.05	16	-	0.5~7.0	M8*P1.0	17	ER11	N11MX nano	W-ER11M	0.10
	SSLD3/4-ER11M-050	60	50	17	-	19.05	16	-	0.5~7.0	M8*P1.0	17	ER11	N11MX nano	W-ER11M	0.15
◎	SSLD3/4-ER11-033	61	33	16	-	19.05	19	-	0.5~7.0	M8*P1.0	17	ER11	N11SX nano	W-ER11	0.10
◎	SSLD3/4-ER11-053	61	53	16	-	19.05	19	-	0.5~7.0	M8*P1.0	17	ER11	N11SX nano	W-ER11	0.15
STOCK	CODE	FIG.	L1	L2	I4	ØD1	ØD2	ØD3	Ød	止動螺絲 (M) Screw Page154	W	筒夾 COLLET Page143	螺帽 NUT Page151	扳手 WRENCH Page154	重量 (KG) Weight
	SSLD1-ER11-050	61	50	16	-	25.4	19	-	0.5~7.0	M8*P1.0	22	ER11	N11SX nano	W-ER11	0.25
	SSLD1-ER11-080	61	80	16	-	25.4	19	-	0.5~7.0	M8*P1.0	22	ER11	N11SX nano	W-ER11	0.35
◎	SSLD1-ER16M-045	60	45	24	-	25.4	22	-	0.5~10.0	M11.P1.0	19	ER16	N16MX nano	W-ER16M	0.25
○	SSLD1-ER16M-062	60	62	24	-	25.4	22	-	0.5~10.0	M11.P1.0	19	ER16	N16MX nano	W-ER16M	0.30
◎	SSLD1-ER16M-080	60	80	24	-	25.4	22	-	0.5~10.0	M11.P1.0	19	ER16	N16MX nano	W-ER16M	0.35

產品FIG.60 & 61有M的長度調整螺絲BK-ERxx-Mxx\*2pc是另購品

// PRODUCTS IN FIG.60 & 61 WITH M EQUIP WITH BACK UP SCREW BK-ERxx-Mxx\*2pc TO BE ORDERED SEPARATELY

產品FIG.60出貨附件為高速平衡奈米螺帽NxxMX nano\*2pc // PRODUCTS IN FIG.60 EQUIP WITH BALANCED NANO NUT NxxMX nano\*2pc

產品FIG.61出貨附件為高速平衡奈米螺帽NxxSX nano\*2pc // PRODUCTS IN FIG.61 EQUIP WITH BALANCED NANO NUT NxxSX nano\*2pc

STOCK ◎=標準在庫品 // STOCK ○=regular stock | STOCK ○=少量在庫品 // STOCK ○=few stock | STOCK無標示=接單生產品 // STOCK

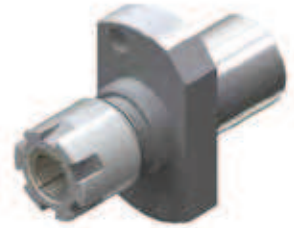
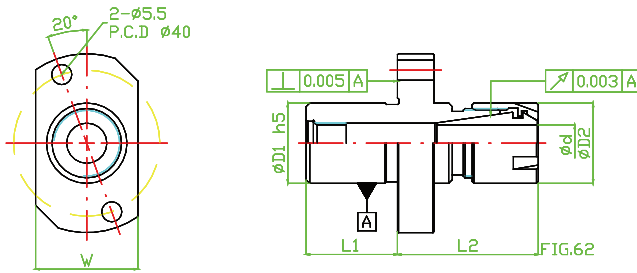
BLANK=on request

ER筒夾和扳手是另購品 // ER COLLET AND WRENCH TO BE ORDERED SEPARATELY

# S-ERM

## ■ Sub-spindle short nose type straight shank ERM nut collet chucks

### ● 副主軸用短鼻型直柄 ERM 型螺帽筒夾延長桿



STOCK	CODE	FIG.	L1	L2	I4	ØD1	ØD2	ØD3	Ød	止動螺絲 (M) Screw Page154	W	筒夾 COLLET Page143	螺帽 NUT Page151	板手 WRENCH Page154	重量 (KG) Weight
◎	STAR-S22-ER16M-025 (#541-21-010)	62	25	33	-	22	22	-	0.5~10.0	-	28	ER16	N16MX nano	W-ER16M	0.25

產品FIG.62出貨附件為高速平衡奈米螺帽NxxMX nano\*1pc // PRODUCTS IN FIG.62 EQUIP WITH BALANCED NANO NUT NxxMX nano\*1pc  
 STOCK ◎=標準在庫品 // STOCK ◎=regular stock | STOCK ○=少量在庫品 // STOCK ○=few stock | STOCK無標示=接單生產品 // STOCK  
 BLANK=on request  
 ER筒夾和板手是另購品 // ER COLLET AND WRENCH TO BE ORDERED SEPARATELY